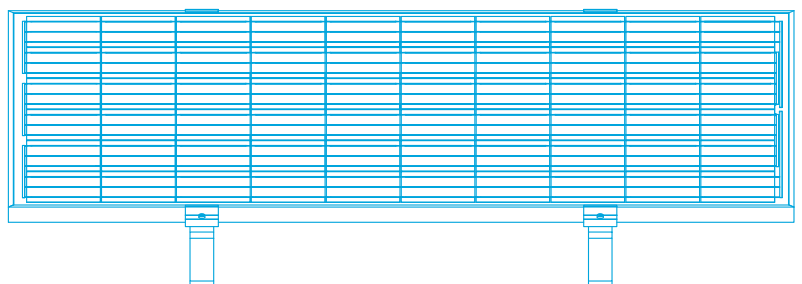
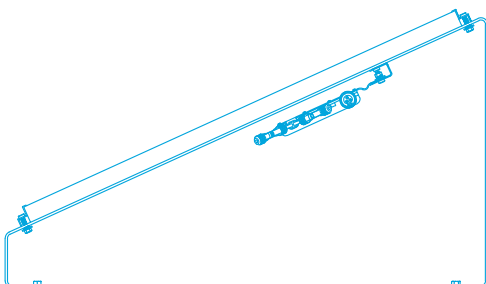
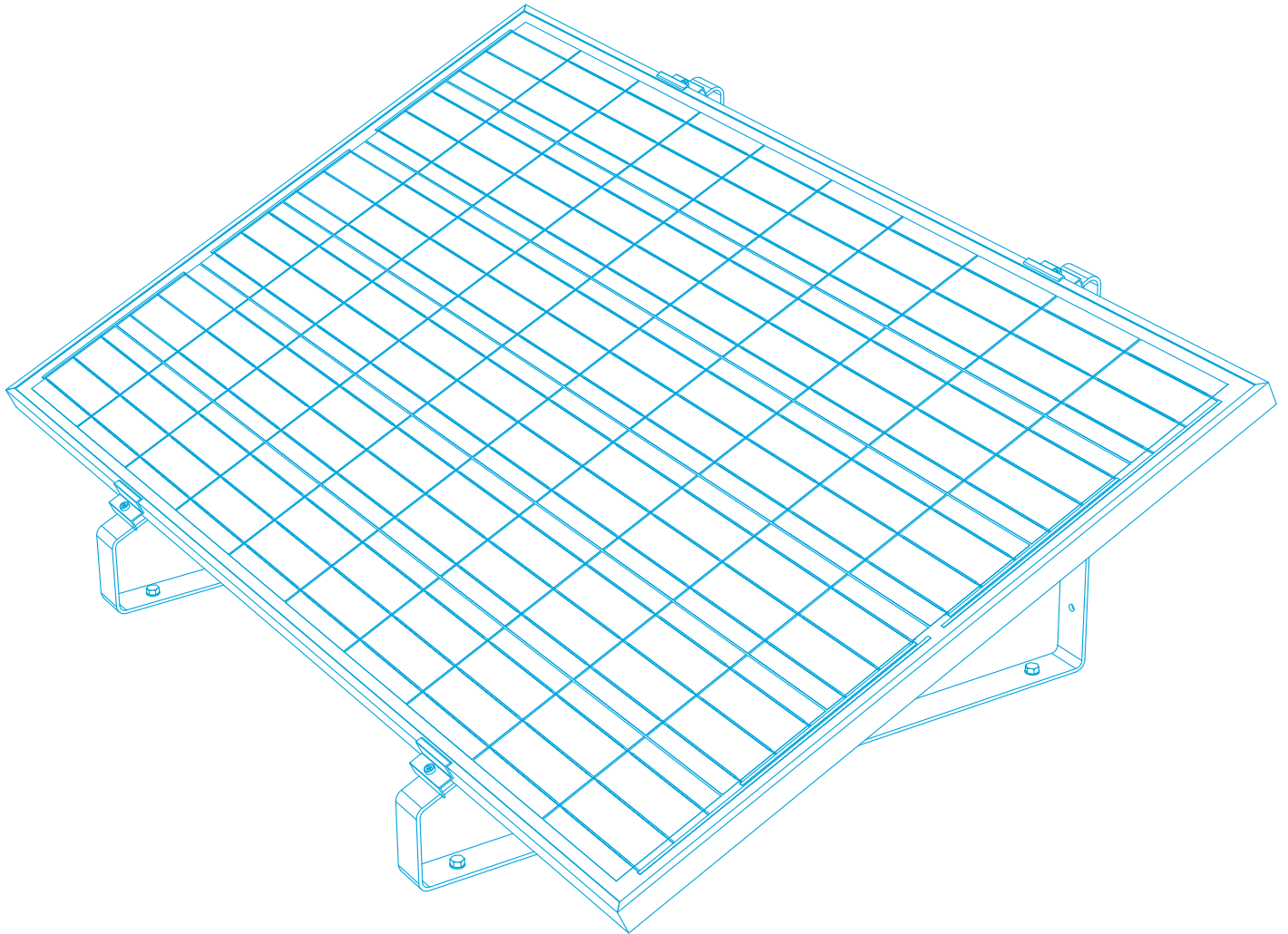
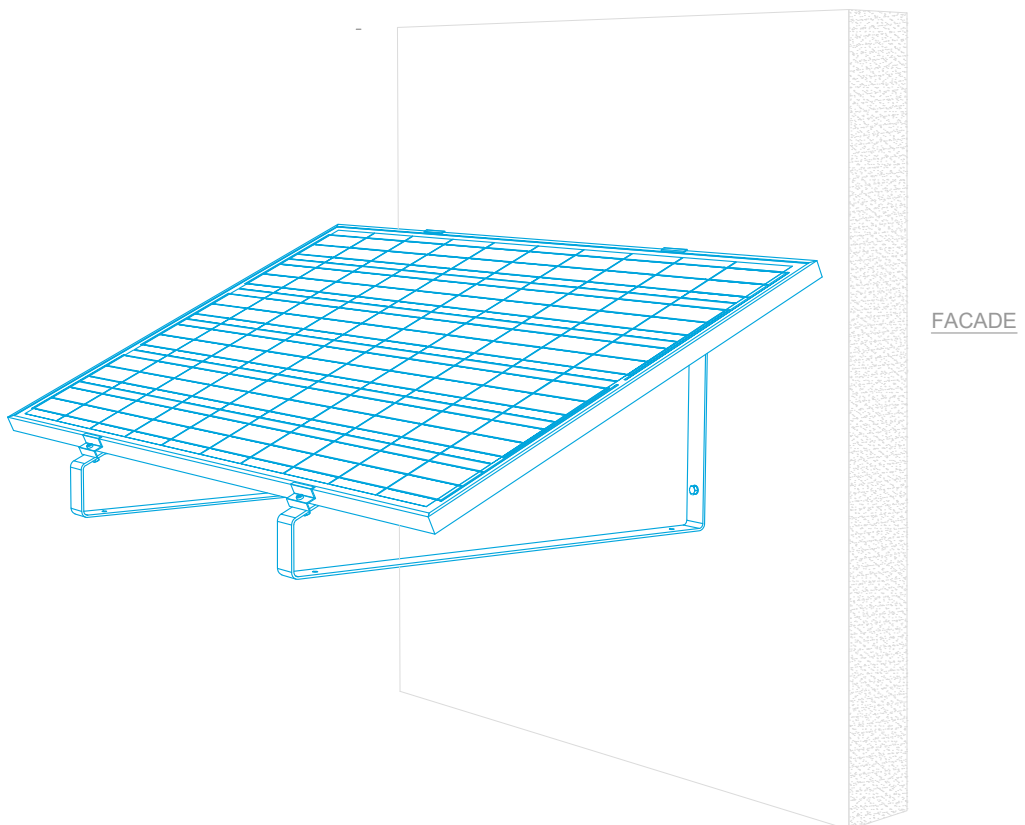
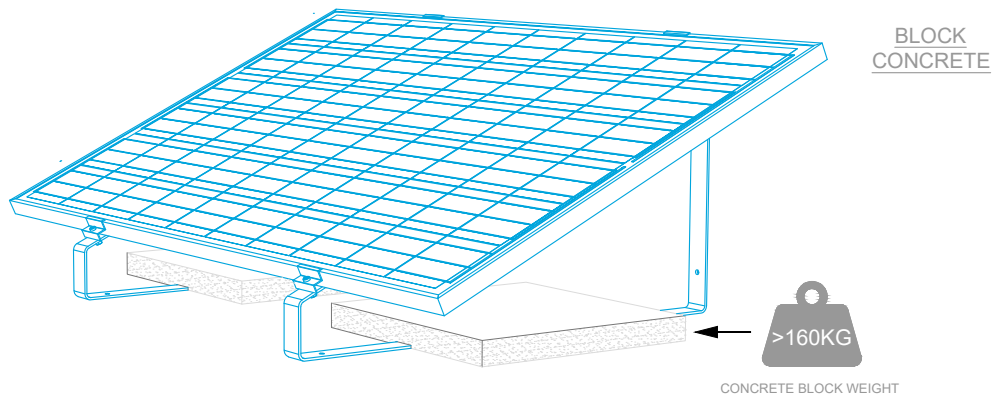
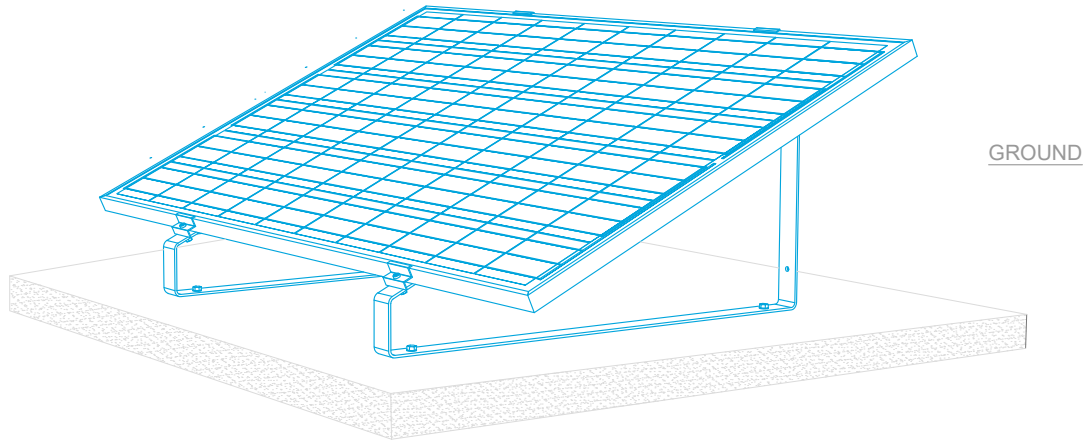


Installation Manual


Congratulations, you are now part of our "eco-citizen community".



1 INSTALLATION OPTIONS




1



x 4

HEXAGONAL CYLINDRICAL HEAD SCREW M8X20 DIN912 STAINLESS STEEL A2

2



x 4

HEXAGONAL CYLINDRICAL HEAD SCREW M8X40 DIN912 STAINLESS STEEL A2

3



x 8

SCREW-NUT M8 DIN934 STAINLESS STEEL A2

4



x 10

WASHER M8 DIN9021 STAINLESS STEEL A2

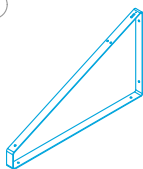
5



x 8

SPRING WASHER M8 DIN127 STAINLESS STEEL A2

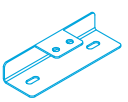
6



x 2

GALVANIZED STRUCTURE

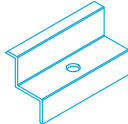
7



x 1

GALVANIZED MICRO-INVERTER FIXATION SUPPORT

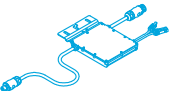
8



x 4

ALUMINUM END CLAMP

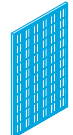
9



x 1

MICRO-INVERTER


10



x 1

PV MODULE

11



x 4

HEXAGONAL CYLINDRICAL HEAD SCREW M4X16 DIN912 STAINLESS STEEL A2

12



x 4

SCREW-NUT M4 DIN934 STAINLESS STEEL A2

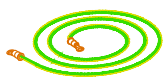
13



x 5

WASHER M4 DIN125 STAINLESS STEEL A2


14



x 2

GROUND CABLE 4MM (LENGTH 400MM)


15



x 1

GROUND CABLE 4MM (LENGTH 870MM)


16



Not included

SLEEVE ANCHOR EXPANSIVE HD ZN M10X90MM


17



x 1

END CAP

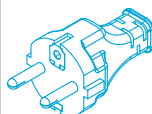
18



x 1

AC CABLE (5M)

19



x 1

ELECTRICAL CONNECTION

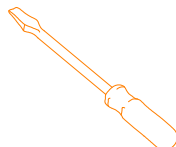
Not included

WRENCH

Not included

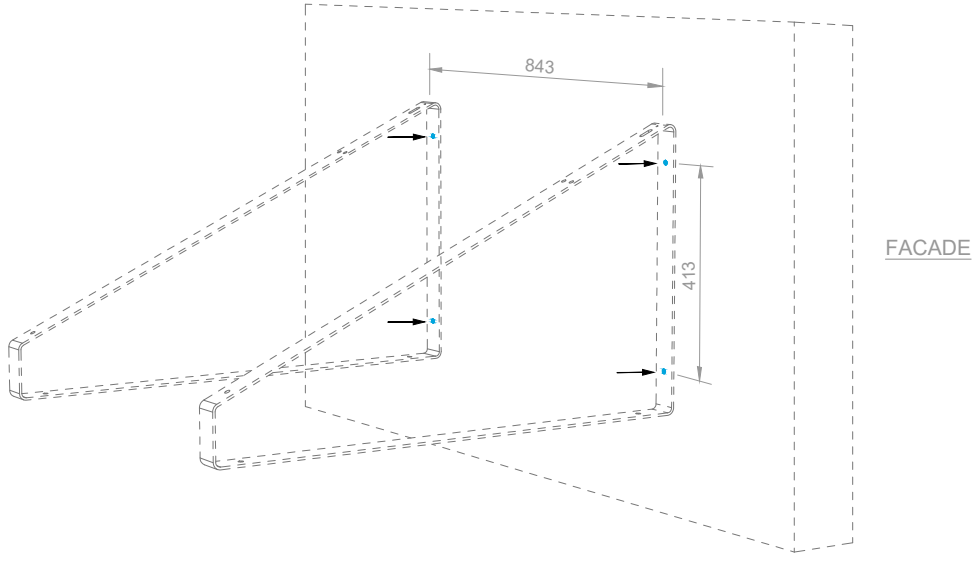
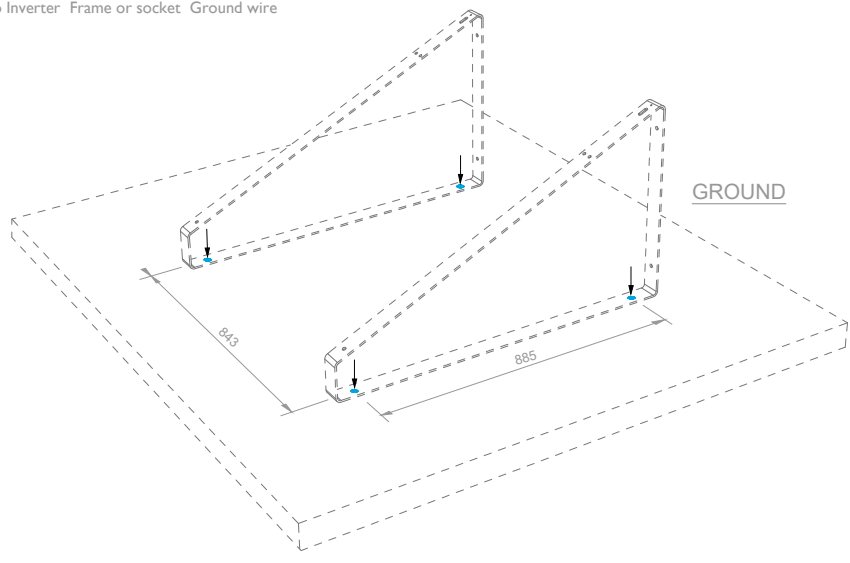
HEX KEY

Not included



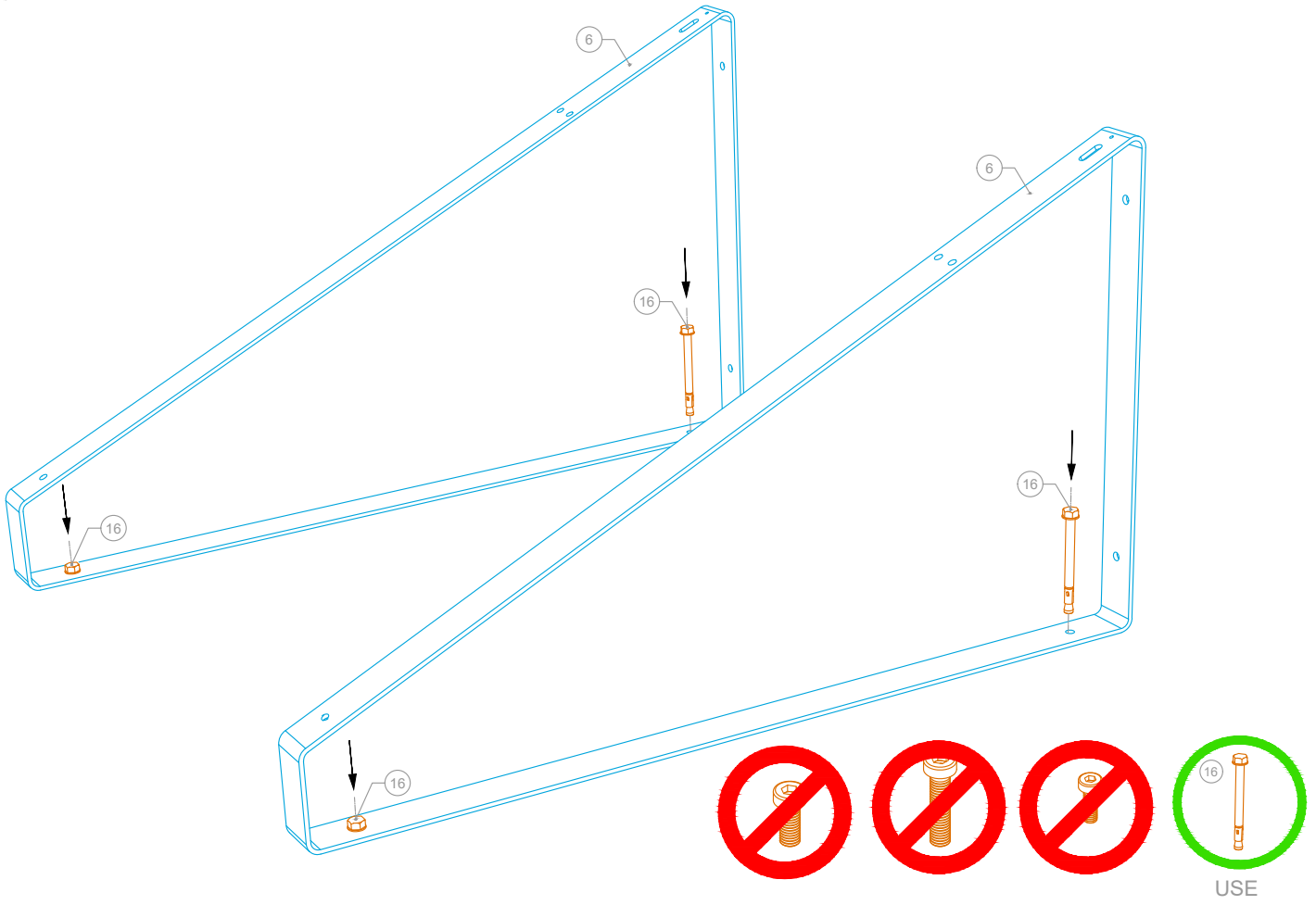
SCREWDRIVER

2 DISCONNECT KIT
Connector Micro Inverter Frame or socket Ground wire

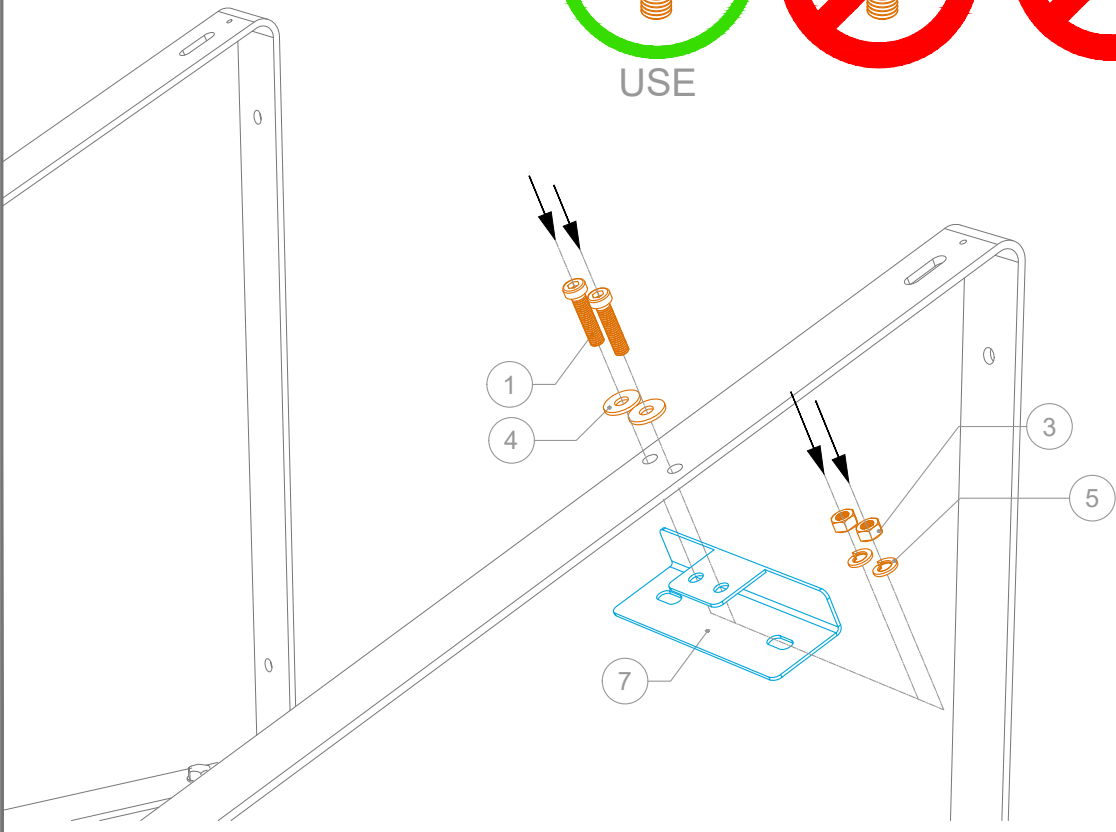


3 SUPPORTING STRUCTURE FIXATION

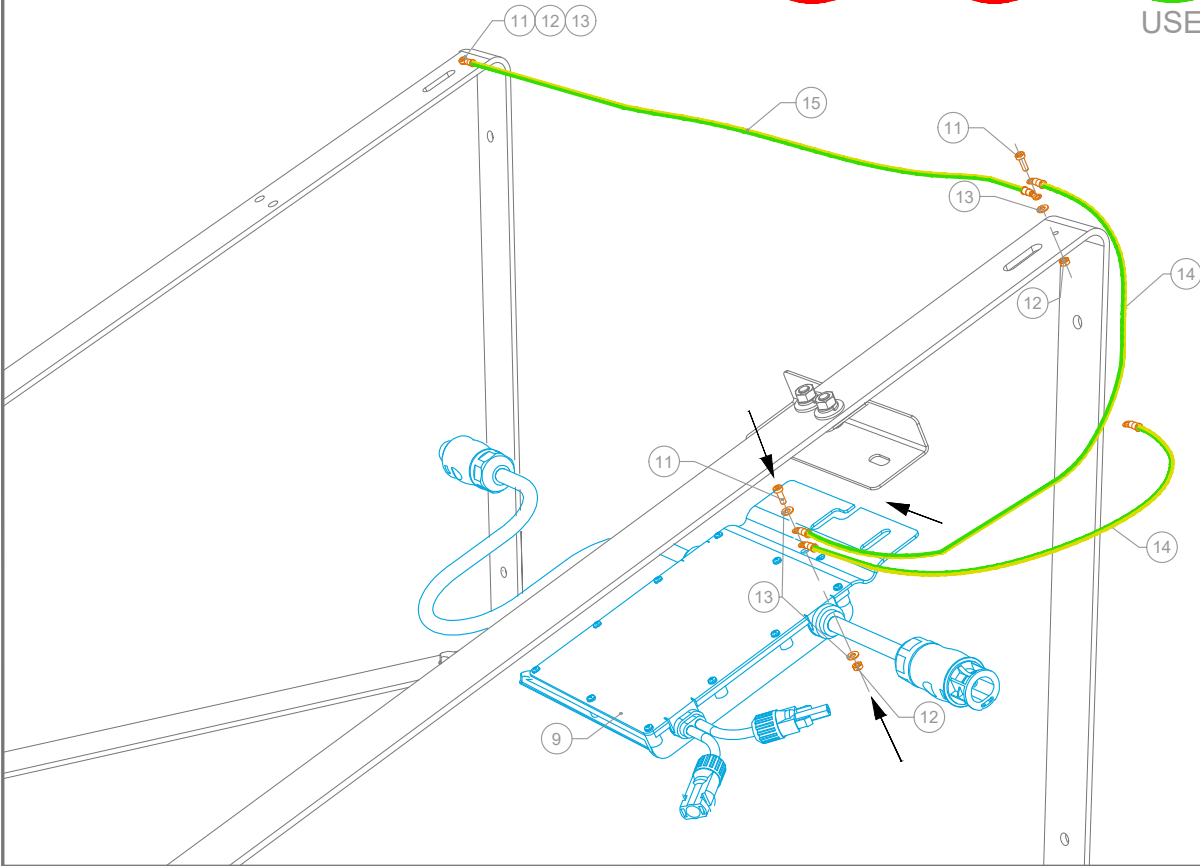
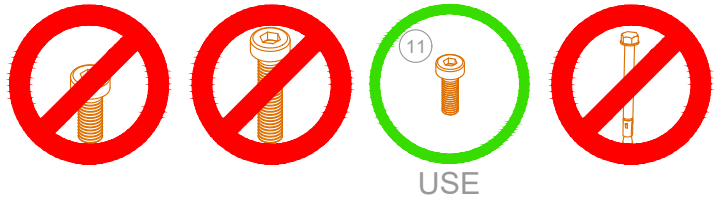
Fixation not included



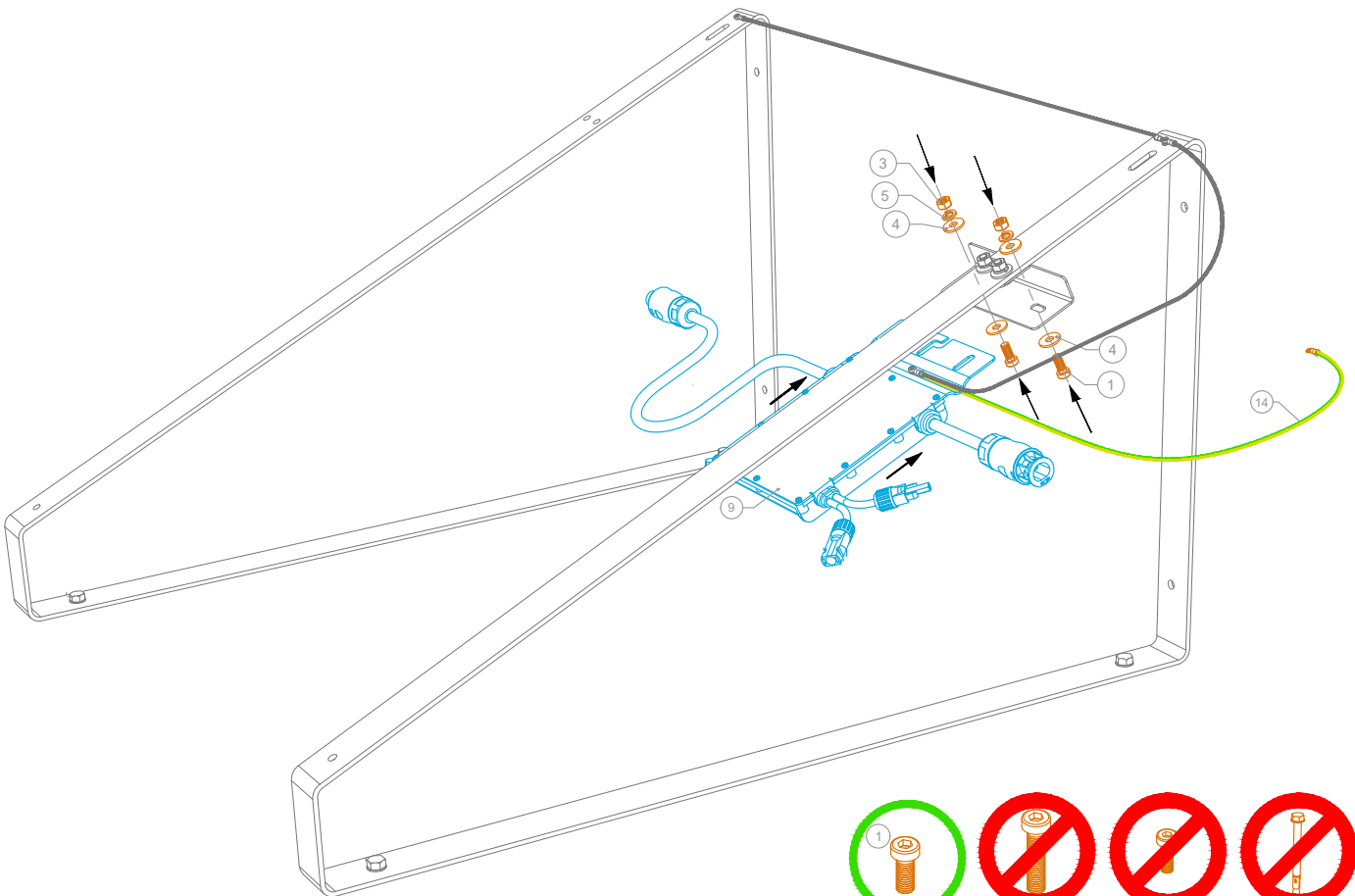
4 MICRO-INVERTER SUPPORT INSTALLATION



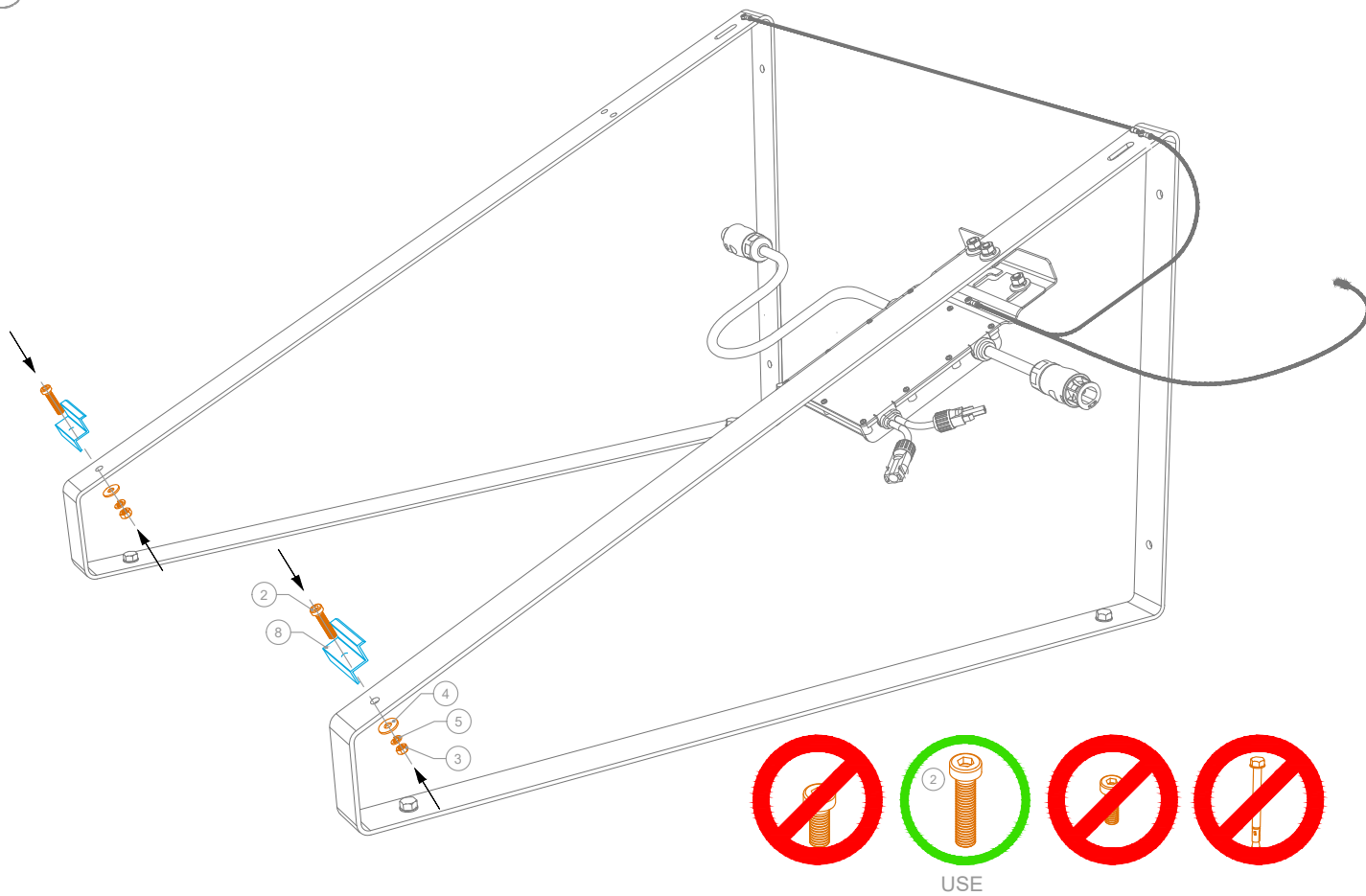
5 GROUND CABLE CONNECTION TO THE MICRO INVERTER AND STRUCTURE



6 MICRO-INVERTER INSTALLATION

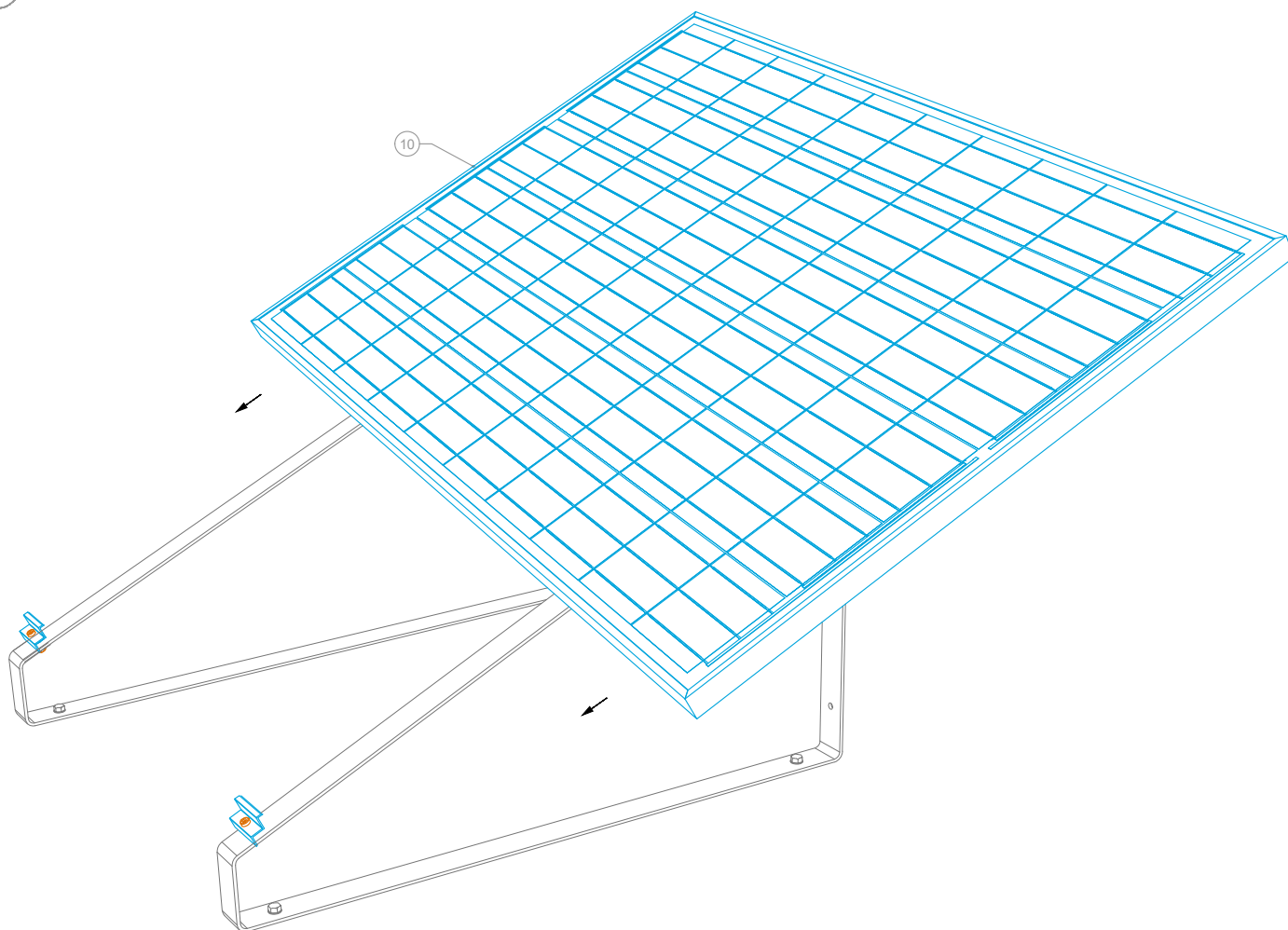


7 END CLAMPS INSTALLATION

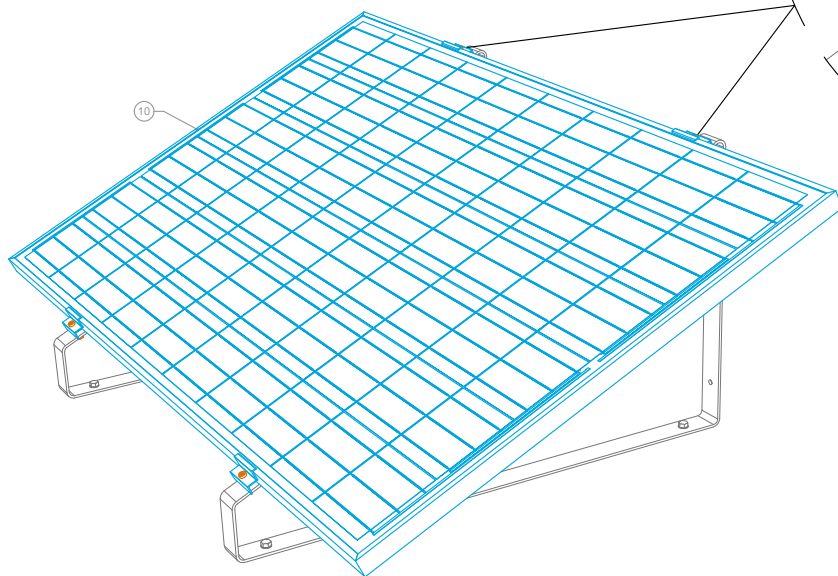
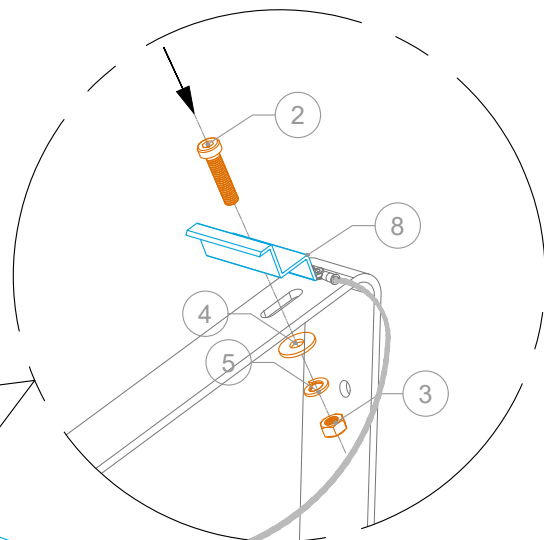
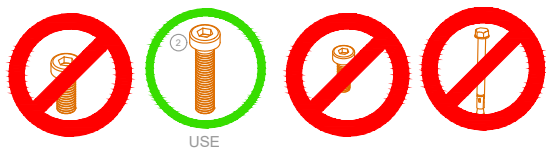


Installation with more than one fotovoltaic module check Kit extension manual

8 PV MODULE INSTALLATION



9 END CLAMPS INSTALLATION



Installation with more than one fotovoltaic module check Kit extension manual

10 GROUND CABLE CONNECTION TO THE MICRO INVERTER

