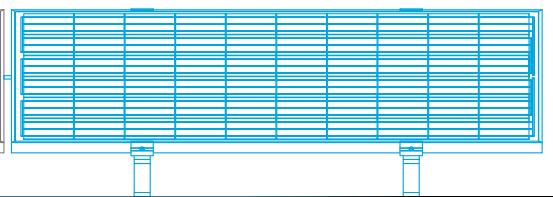
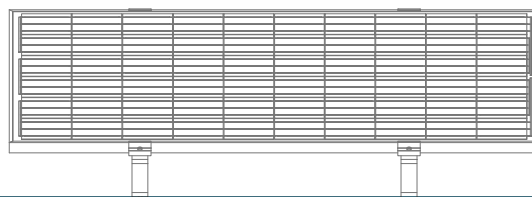
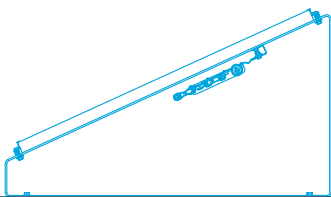
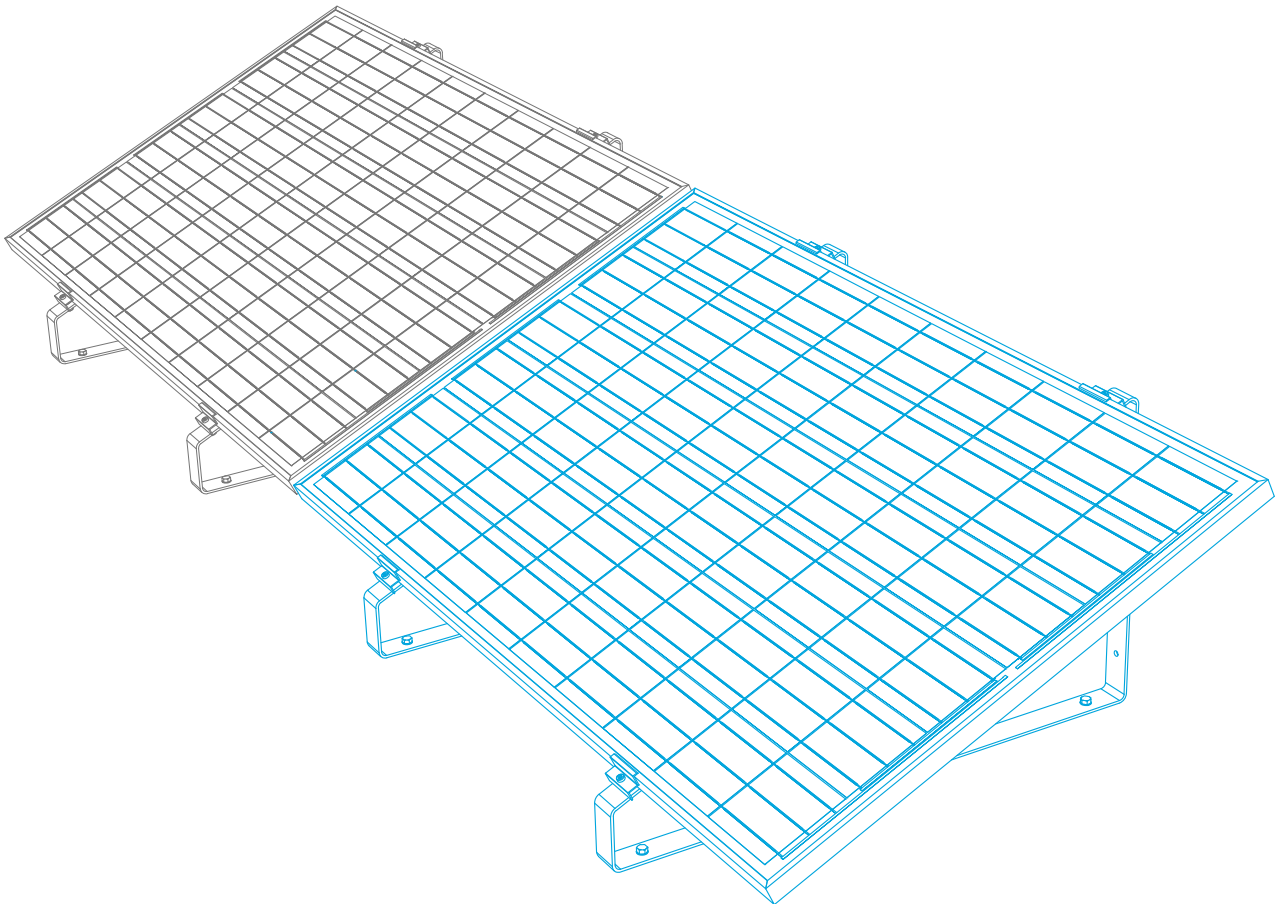
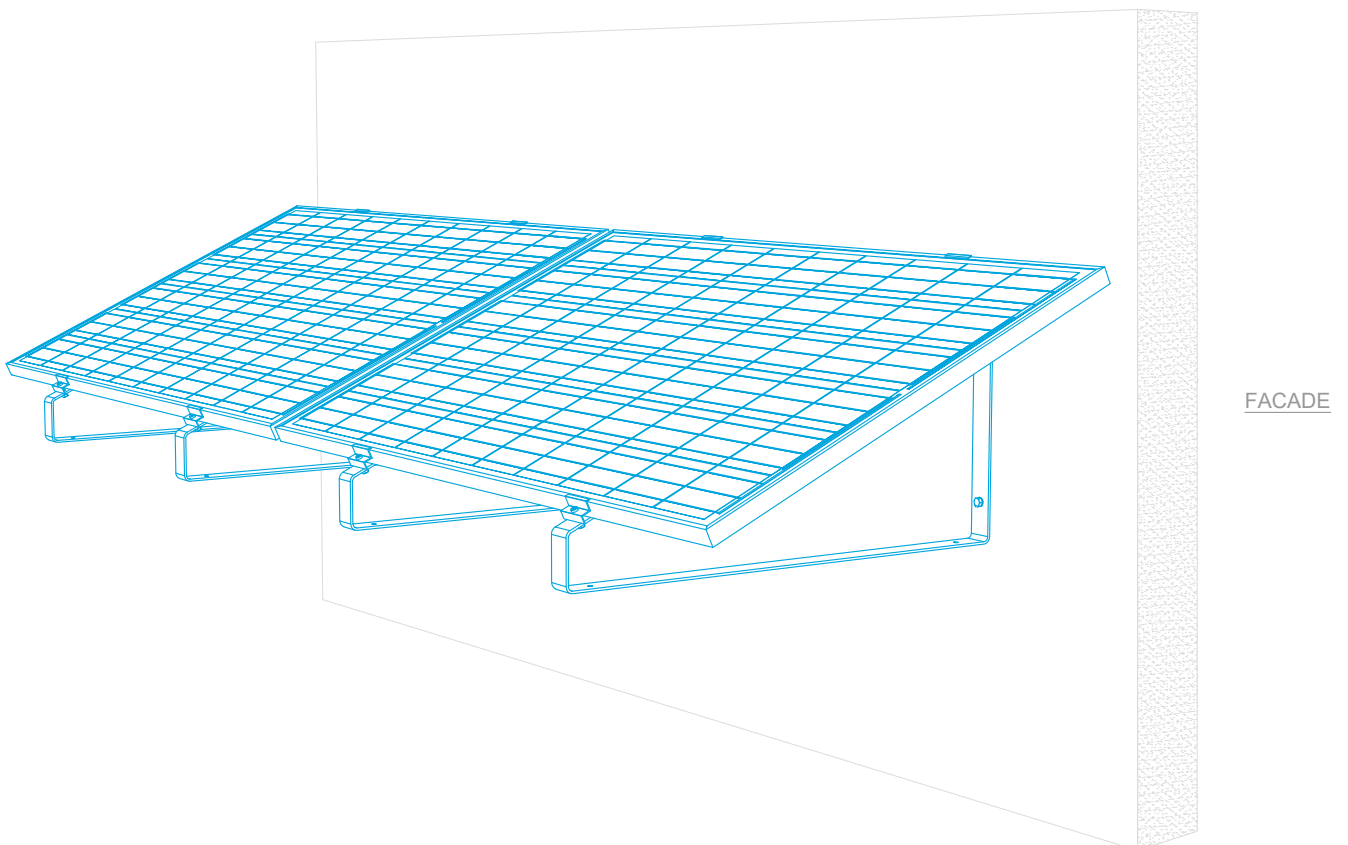
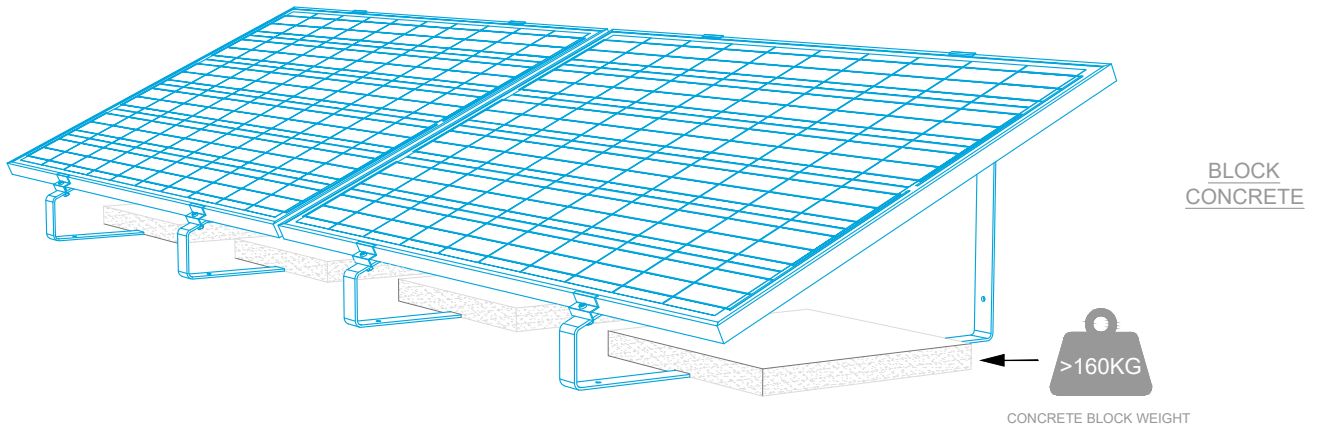
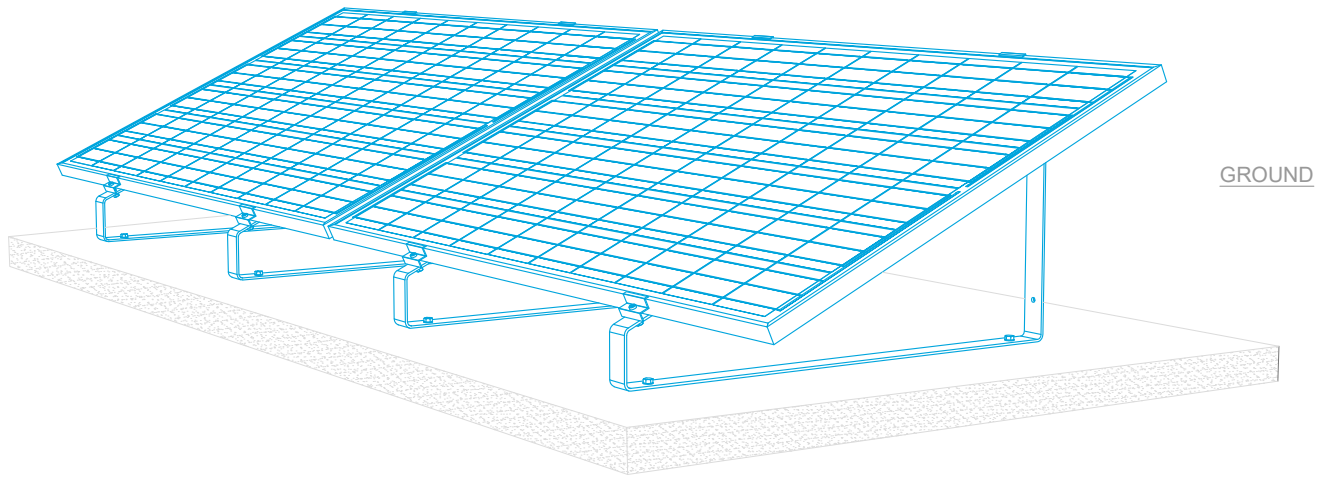







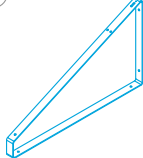
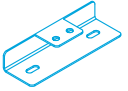
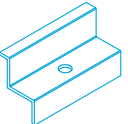
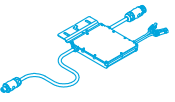








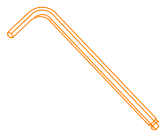
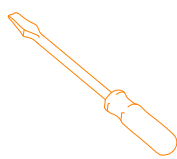

## Installation Manual

Congratulations, you are now part of our "eco-citizen community".

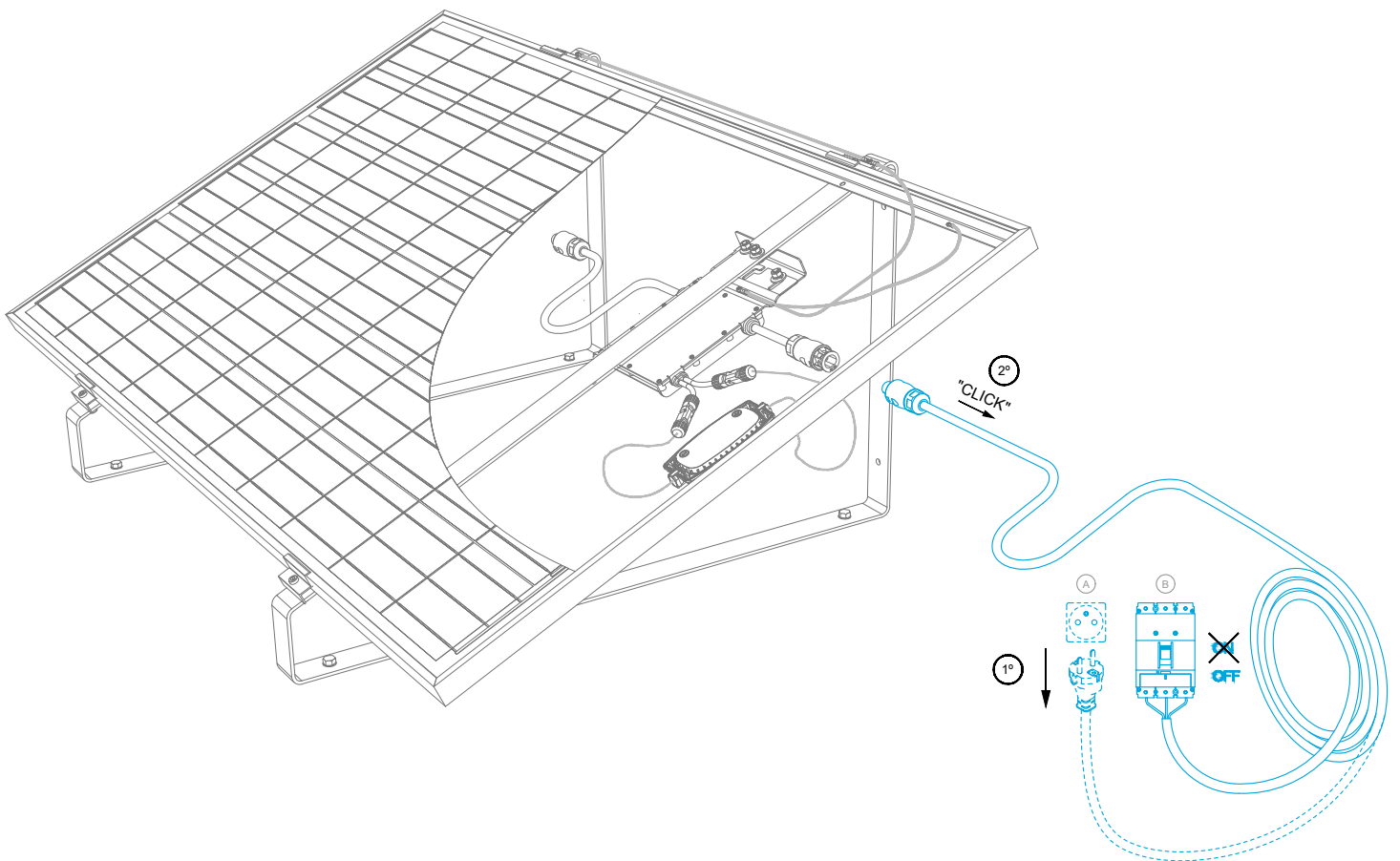


1 INSTALLATION OPTIONS

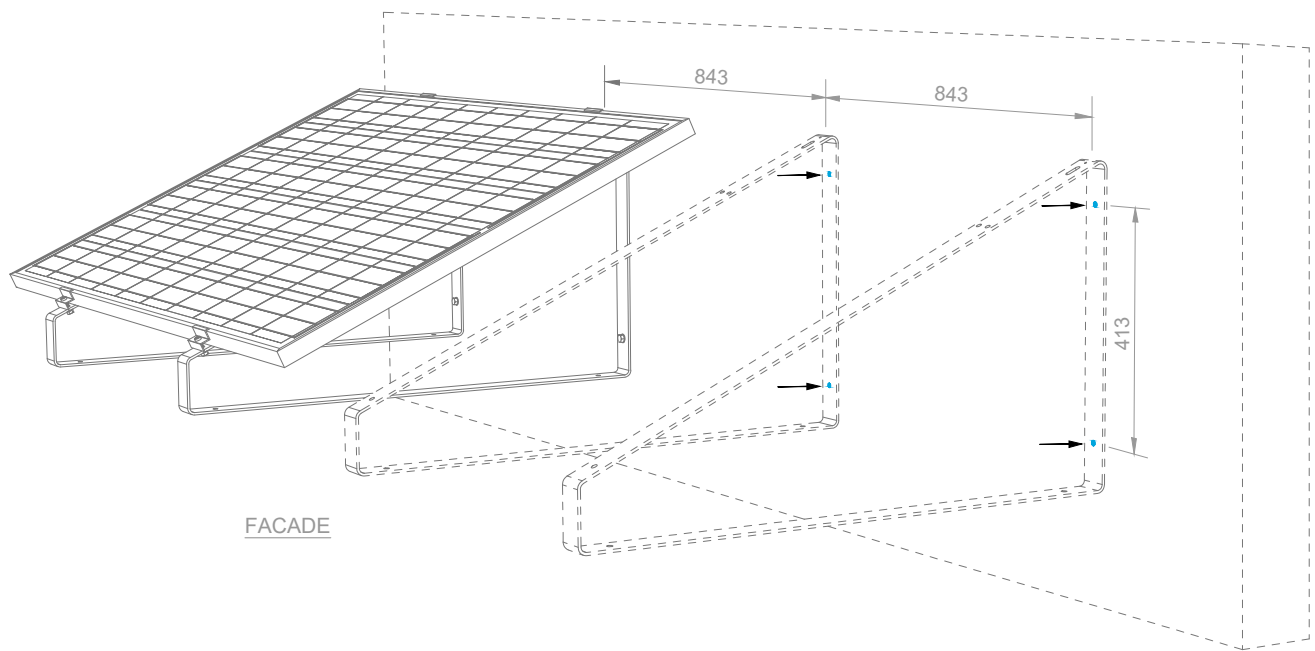
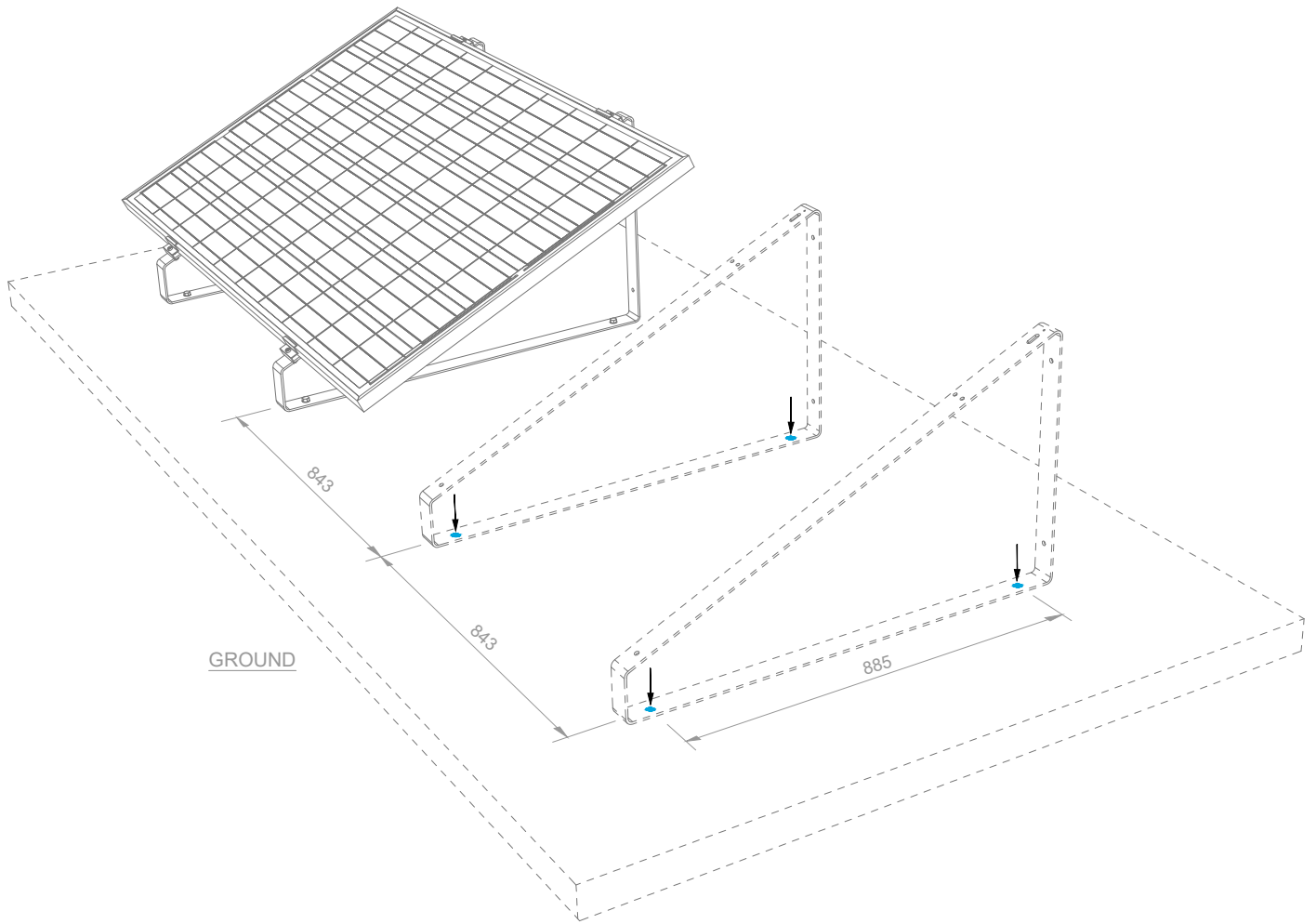


<p>1</p>  <p>x 4</p> <p>HEXAGONAL CYLINDRICAL HEAD SCREW M8X20 DIN912 STAINLESS STEEL A2</p>	<p>2</p>  <p>x 4</p> <p>HEXAGONAL CYLINDRICAL HEAD SCREW M8X40 DIN912 STAINLESS STEEL A2</p>	<p>3</p>  <p>x 8</p> <p>SCREW-NUT M8 DIN934 STAINLESS STEEL A2</p>	<p>4</p>  <p>x 10</p> <p>WASHER M8 DIN9021 STAINLESS STEEL A2</p>	<p>5</p>  <p>x 8</p> <p>SPRING WASHER M8 DIN127 STAINLESS STEEL A2</p>	<p>6</p>  <p>x 2</p> <p>GALVANIZED STRUCTURE</p>	<p>7</p>  <p>x 1</p> <p>GALVANIZED MICRO-INVERTER FIXATION SUPPORT</p>
<p>8</p>  <p>x 4</p> <p>ALUMINUM END CLAMP</p>	<p>9</p>  <p>x 1</p> <p>MICRO-INVERTER</p>	<p>10</p>  <p>x 1</p> <p>PV MODULE</p>	<p>11</p>  <p>x 4</p> <p>HEXAGONAL CYLINDRICAL HEAD SCREW M4X16 DIN912 STAINLESS STEEL A2</p>	<p>12</p>  <p>x 4</p> <p>SCREW-NUT M4 DIN934 STAINLESS STEEL A2</p>	<p>13</p>  <p>x 5</p> <p>WASHER M4 DIN125 STAINLESS STEEL A2</p>	<p>14</p>  <p>x 2</p> <p>GROUND CABLE 4MM (LENGTH 400MM)</p>
<p>15</p>  <p>x 1</p> <p>GROUND CABLE 4MM (LENGTH 870MM)</p>	<p>16</p>  <p>Not included</p> <p>SLEEVE ANCHOR EXPANSIVE HD ZN M10X90MM</p>	 <p>Not included</p> <p>WRENCH</p>	 <p>Not included</p> <p>HEX KEY</p>	 <p>Not included</p> <p>SCREWDRIVER</p>	 <p>±55KG</p> <p>KIT WEIGHT</p>	

2 DISCONNECT KIT  
Connector Micro Inverter Frame or socket Ground wire

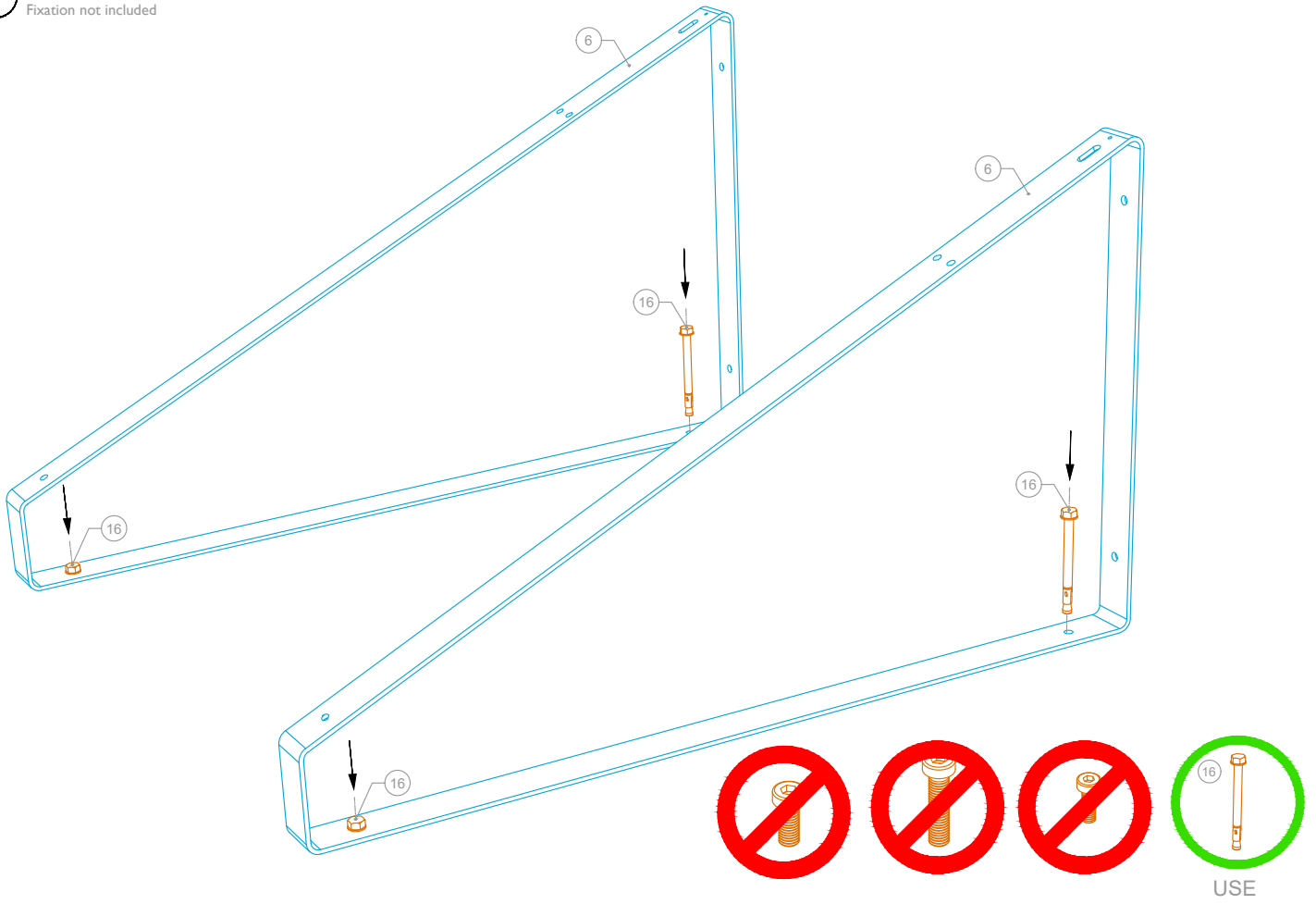


3 HOLES FOR SUPPORTING STRUCTURE  
Holes according to the Supporting Structure System

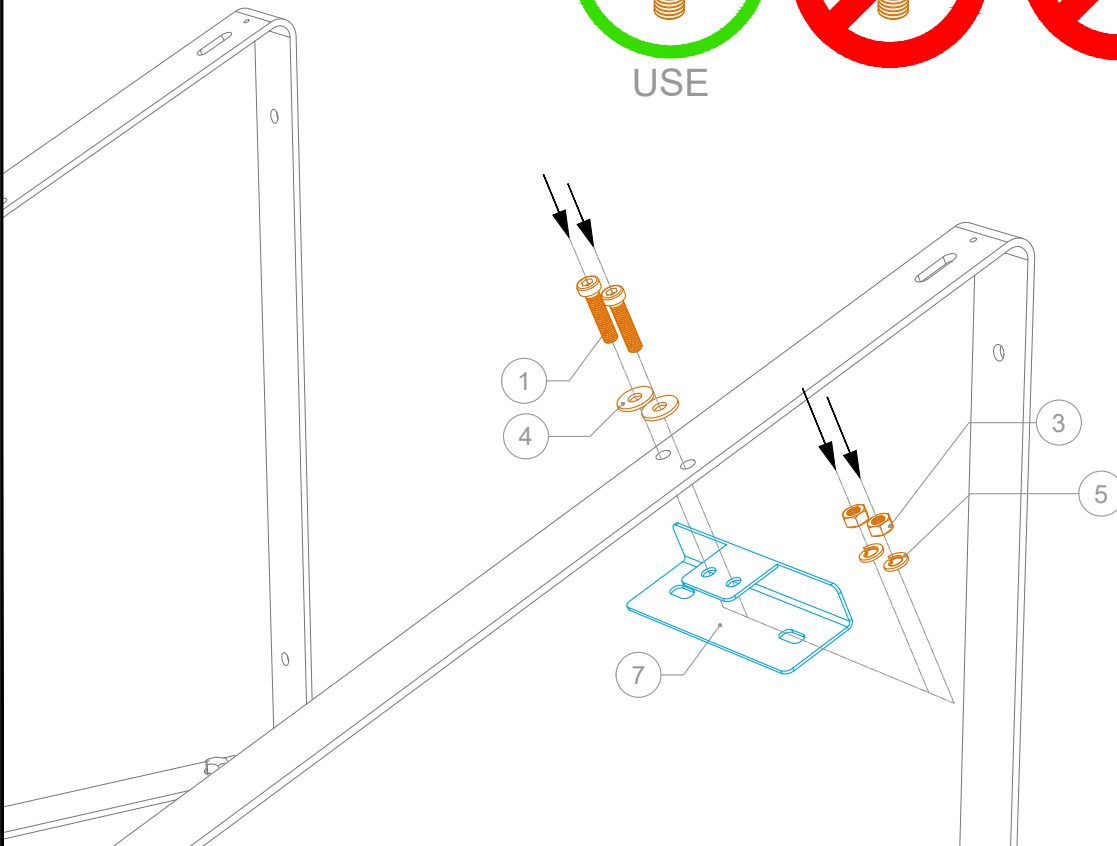


4 SUPPORTING STRUCTURE FIXATION

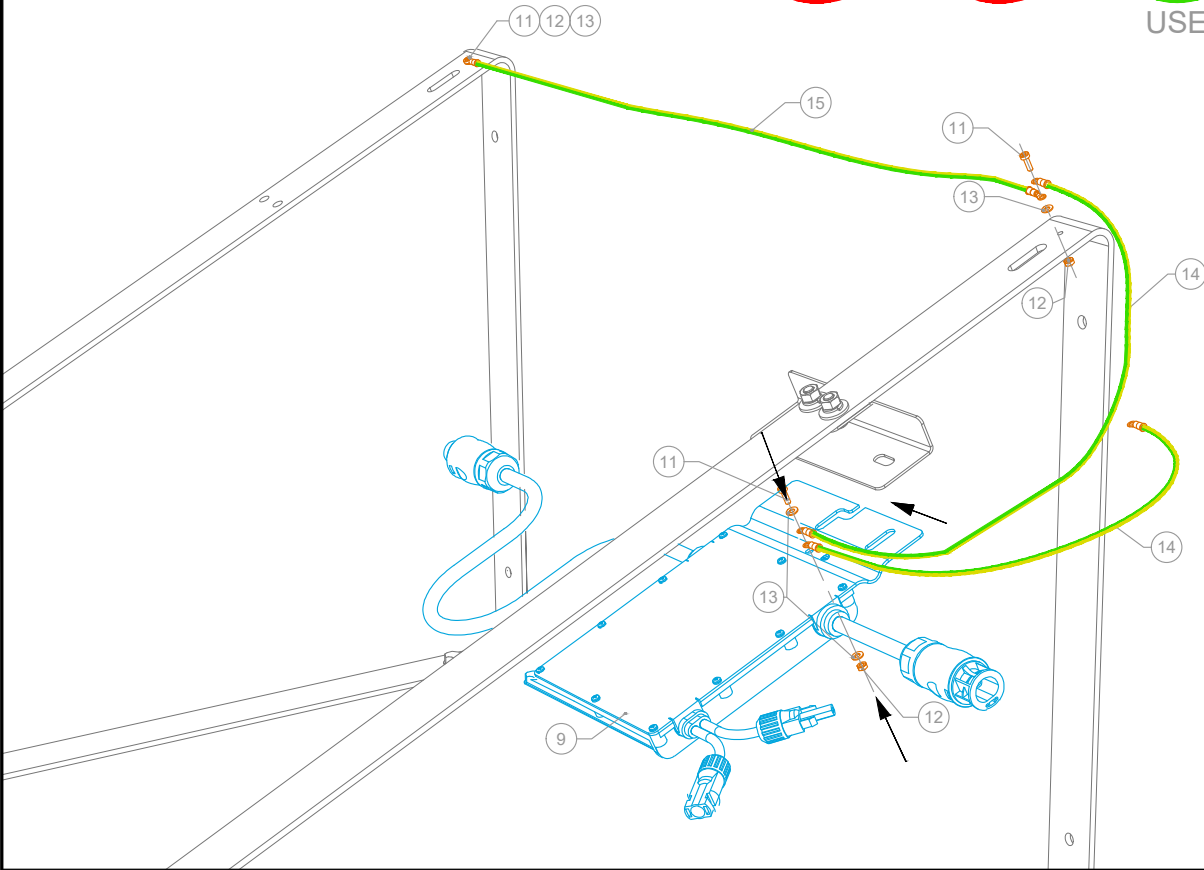
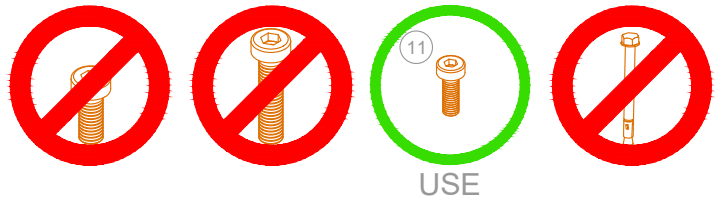
Fixation not included



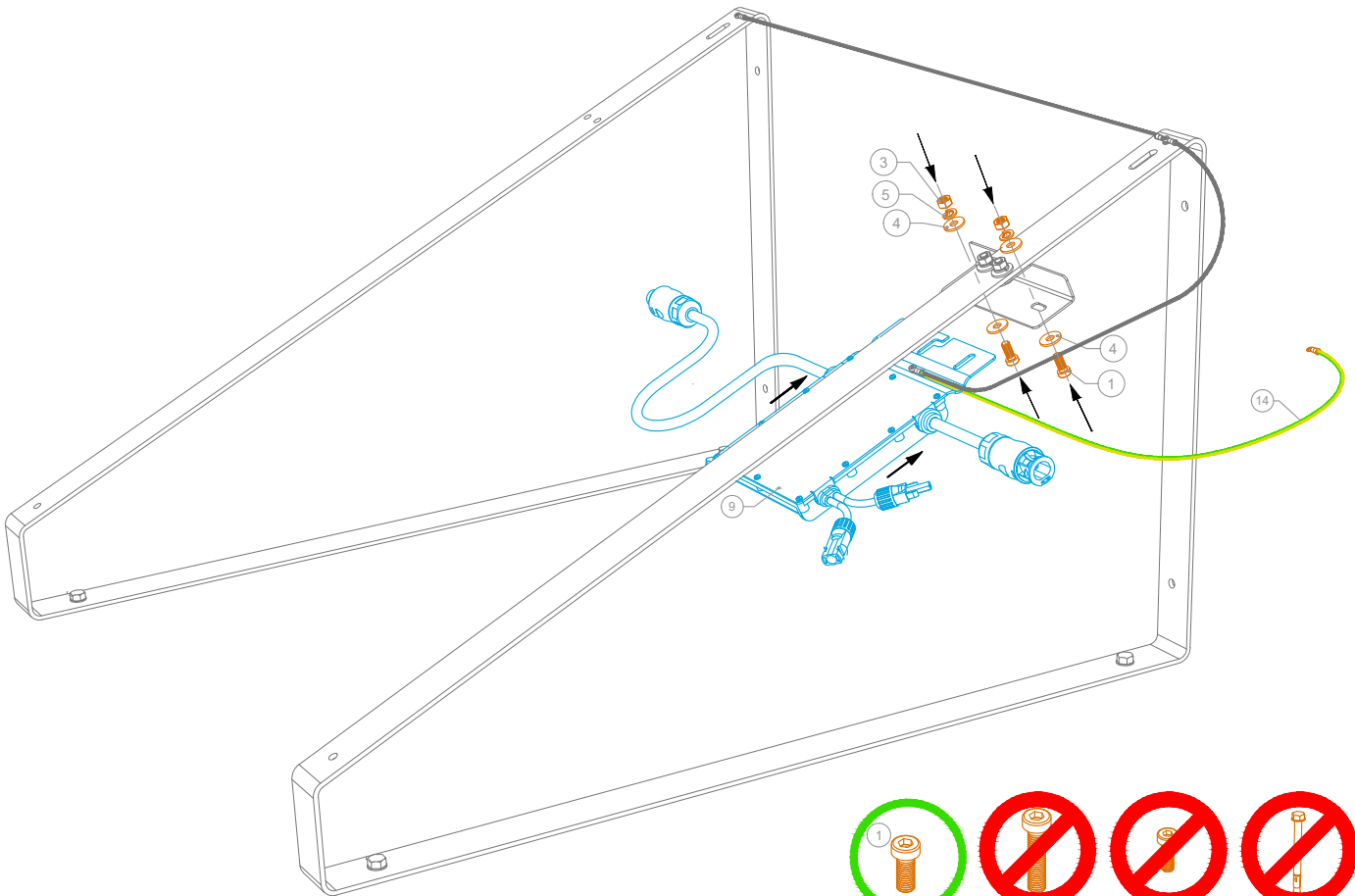
5 MICRO-INVERTER SUPPORT INSTALLATION



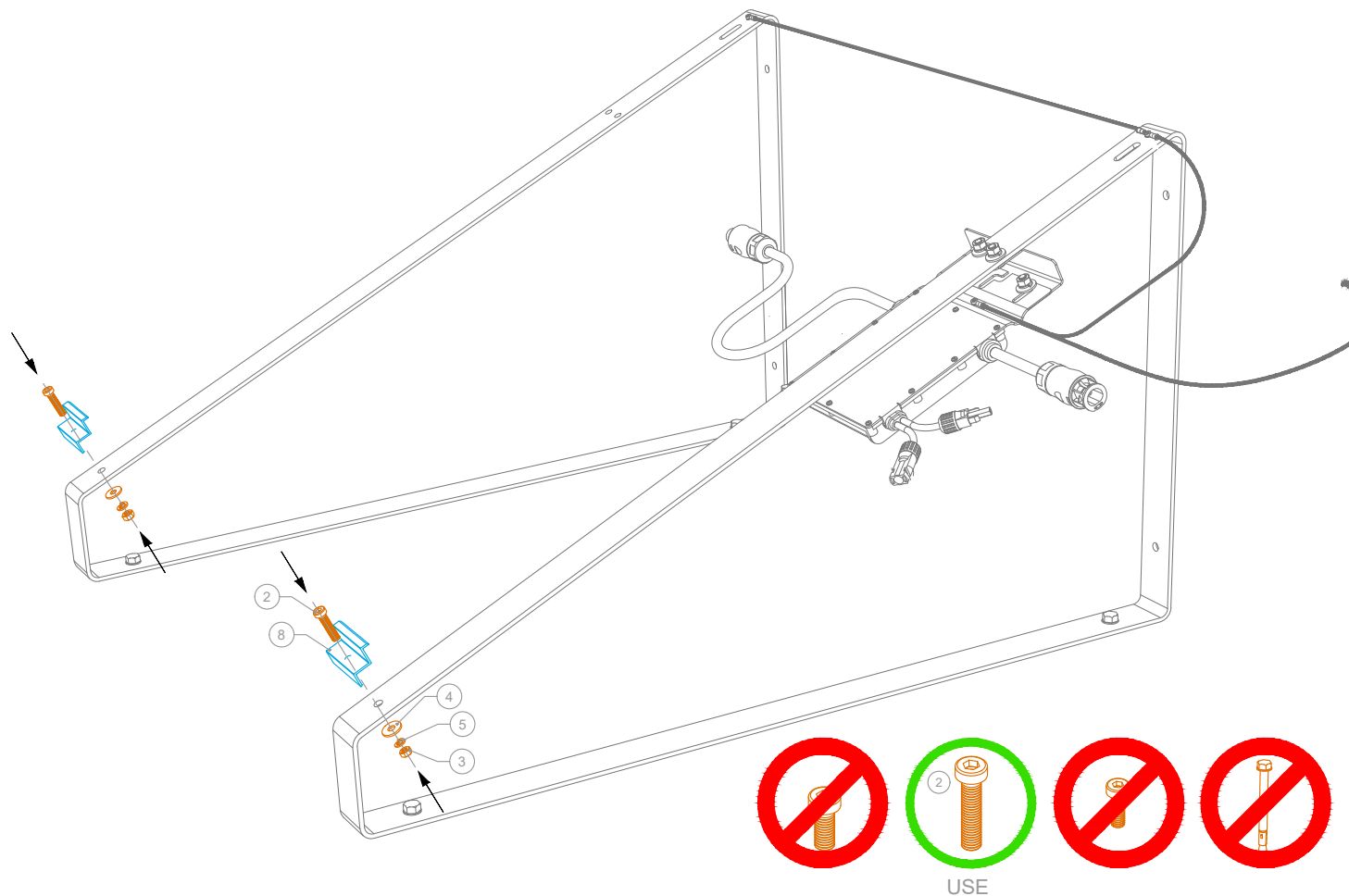
6 GROUND CABLE CONNECTION TO THE MICRO INVERTER AND STRUCTURE



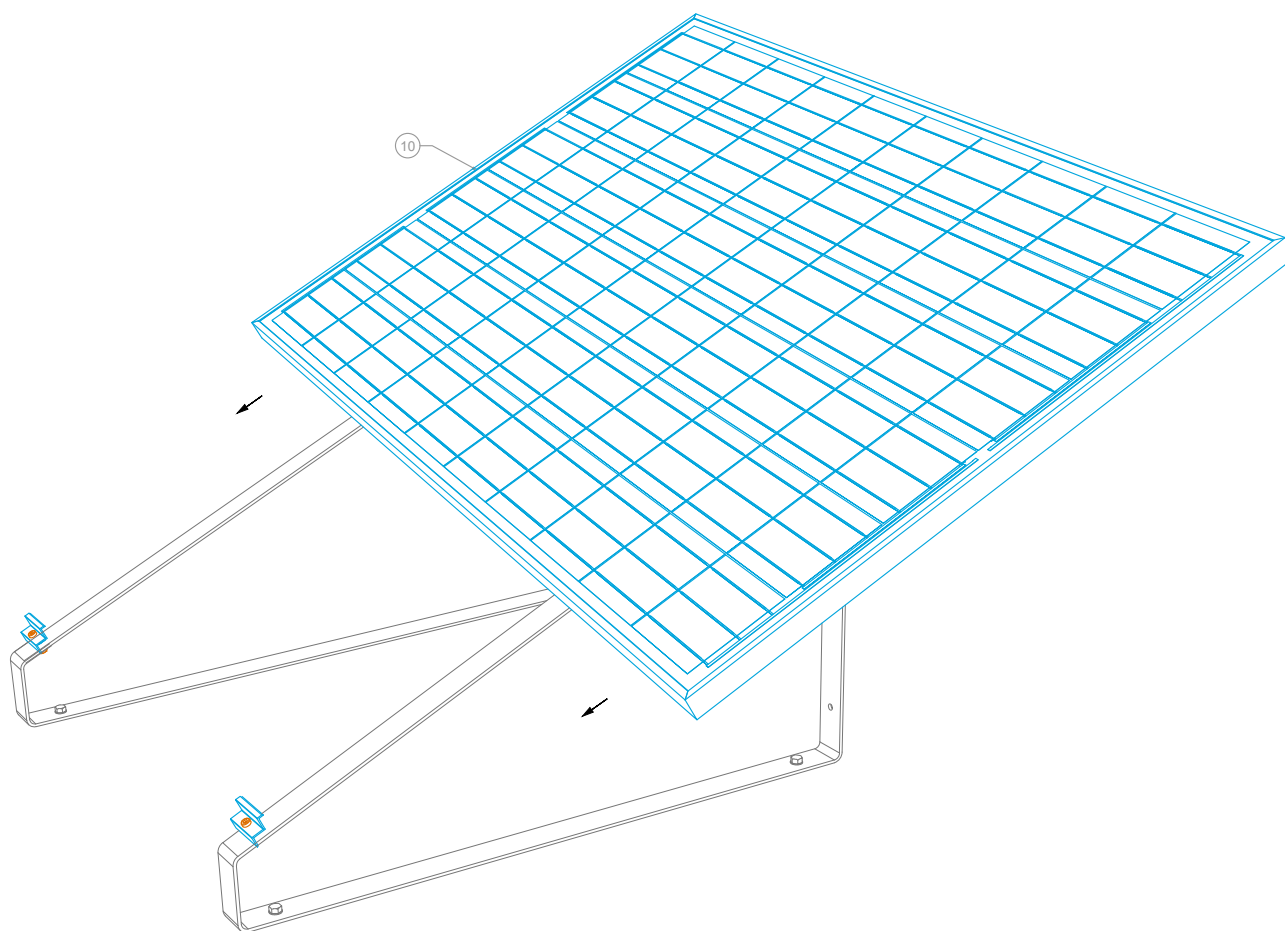
7 MICRO-INVERTER FIXATION



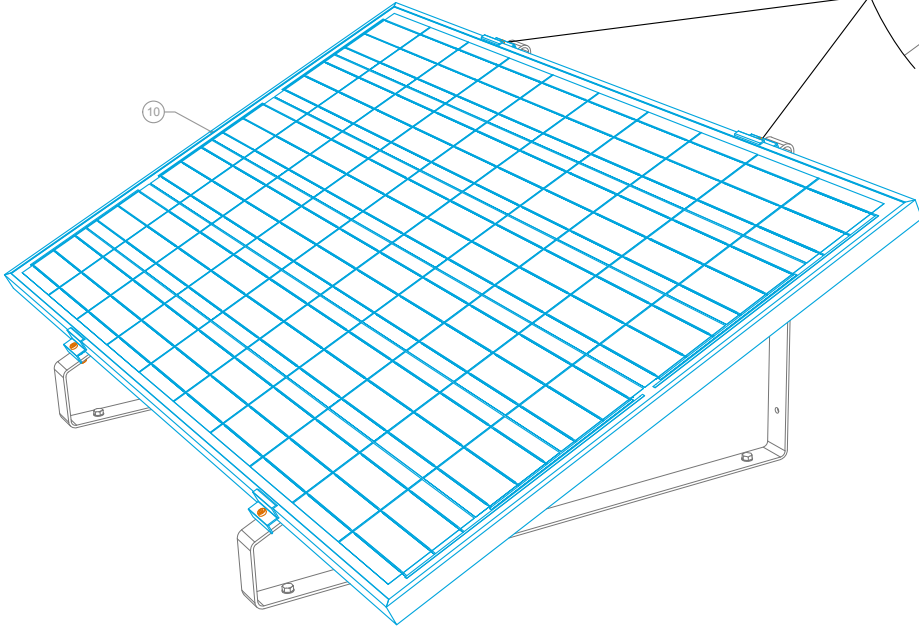
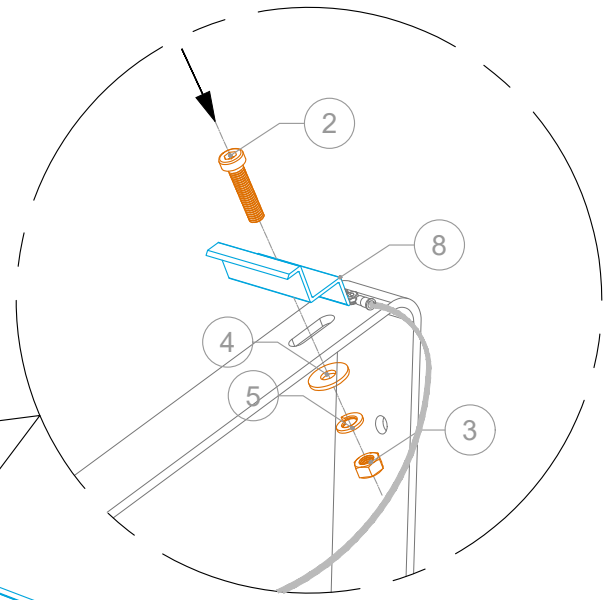
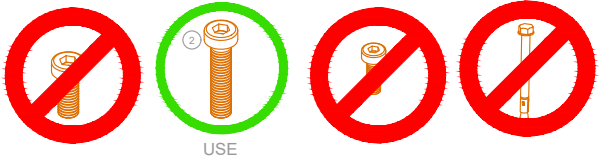
8 END CLAMPS INSTALLATION



9 PV MODULE INSTALLATION



10 END CLAMPS INSTALLATION



11 GROUND CABLE CONNECTION TO THE MICRO INVERTER

