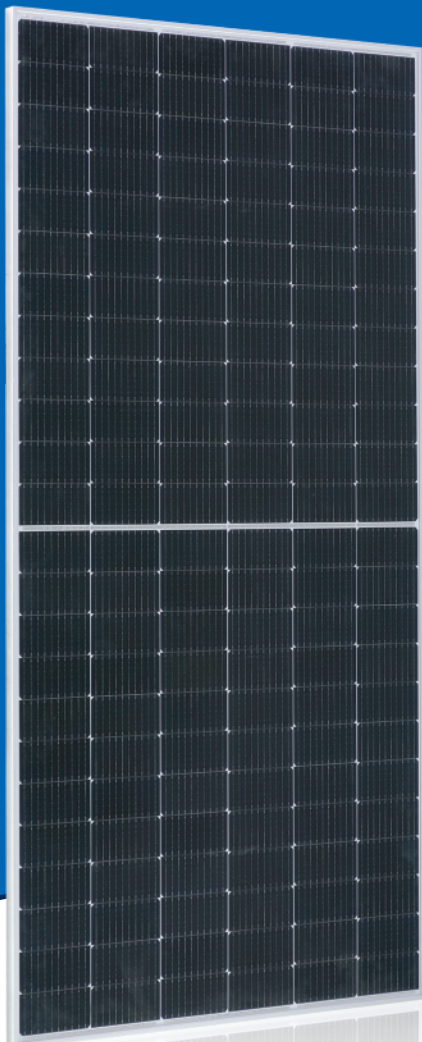


AstroTwins™

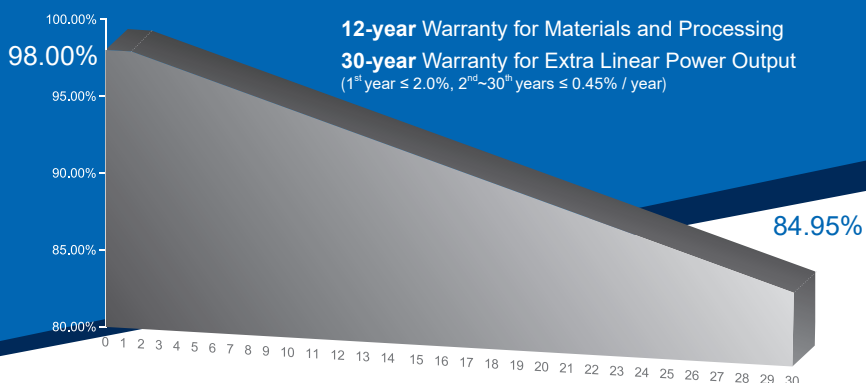
Enjoy the Energy of the Universe



520W~540W

P-type Monocrystalline PV Module
CHSM72M(DG)/F-BH Series (182)

CHSM72M(DG)/F-BH is bifacial module with white glazed glass



COMPREHENSIVE CERTIFICATES



First solar company which passed the TUV Nord IEC/TS 62941 certification audit.

KEY FEATURES

- +5W OUTPUT POSITIVE TOLERANCE**
Guaranteed 0~+5W positive tolerance ensures power output reliability.
- EXCELLENT WEATHER RESISTANCE**
Reduces the cell micro-crack and extended product warranty.
- BIFACIAL POWER**
The backside makes use of the reflected and scattered light from the surroundings, the modules can yield up to 5%~25% power more, depending on the albedo.
- REDUCE INTERNAL MISMATCH LOSS**
Reduces mismatch loss and improves output.
- APPLICABLE FOR MULTI DIFFERENT ENVIRONMENTS**
The wide range of applications, such as BIPV, vertical installation, snow area, high humidity area and strong sandstorm area, etc.
- SNAIL TRAIL RESISTANCE**
Reduces the probability of snail trails with zero water vapor transmittance.

Preliminary
For Global Market

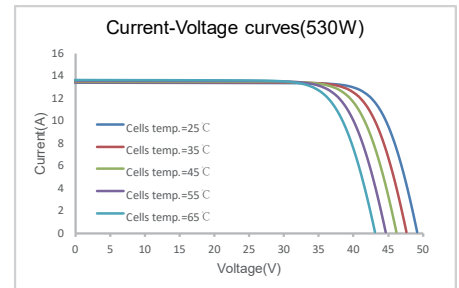
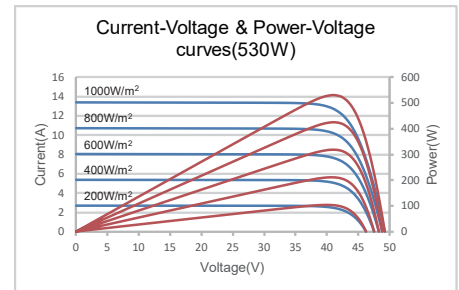


ELECTRICAL SPECIFICATIONS

Power rating (front)	520 Wp		525 Wp		530 Wp		535 Wp		540 Wp	
Testing Condition	Front	Back	Front	Back	Front	Back	Front	Back	Front	Back
STC rated output (P_{mpp}/Wp)*	520	364	525	368	530	371	535	375	540	378
Rated voltage (V_{mpp}/V) at STC	41.26	41.31	41.43	41.48	41.60	41.65	41.76	41.81	41.93	41.98
Rated current (I_{mpp}/A) at STC	12.60	8.82	12.67	8.87	12.74	8.92	12.81	8.97	12.88	9.01
Open circuit voltage (V_{oc}/V) at STC	49.10	49.05	49.30	49.25	49.50	49.45	49.70	49.65	49.90	49.85
Short circuit current (I_{sc}/A) at STC	13.32	9.22	13.40	9.27	13.48	9.33	13.57	9.39	13.66	9.45
Module efficiency	20.3%	14.2%	20.5%	14.4%	20.7%	14.5%	20.9%	14.7%	21.1%	14.8%
Temperature coefficient (P_{mpp})					- 0.350%/°C					
Temperature coefficient (I_{sc})					+0.045%/°C					
Temperature coefficient (V_{oc})					- 0.270%/°C					
Nominal module operating temperature (NMOT)					45±2°C					
Maximum system voltage (IEC/UL)					1500V _{DC}					
Number of diodes					3					
Junction box IP rating					IP 68					
Maximum series fuse rating					30 A					

STC: Irradiance 1000W/m², Cell Temperature 25°C, AM=1.5

CURVE



ELECTRICAL SPECIFICATIONS (Integrated power)

P_{mpp} gain	P_{mpp}	V_{mpp}	I_{mpp}	V_{oc}	I_{sc}
5%	557 Wp	41.60 V	13.38 A	49.50 V	14.16 A
10%	583 Wp	41.60 V	14.02 A	49.50 V	14.83 A
15%	610 Wp	41.61V	14.65 A	49.51 V	15.50 A
20%	636 Wp	41.61 V	15.29 A	49.51 V	16.18 A
25%	663 Wp	41.61 V	15.92 A	49.52 V	16.85 A

Electrical characteristics with different rear power gain (reference to 530 W)

MECHANICAL SPECIFICATIONS

Outer dimensions (L x W x H)	2256 x 1133 x 35 mm
Frame technology	Aluminum, silver anodized
Glass thickness	2.0 mm
Cable length (IEC/UL)	Portrait: 300 mm Landscape: 1400 mm
Cable diameter (IEC/UL)	4 mm ² / 12 AWG
① Maximum mechanical test load	5400 Pa (front) / 2400 Pa (back)
Connector type (IEC/UL)	MC4 compatible

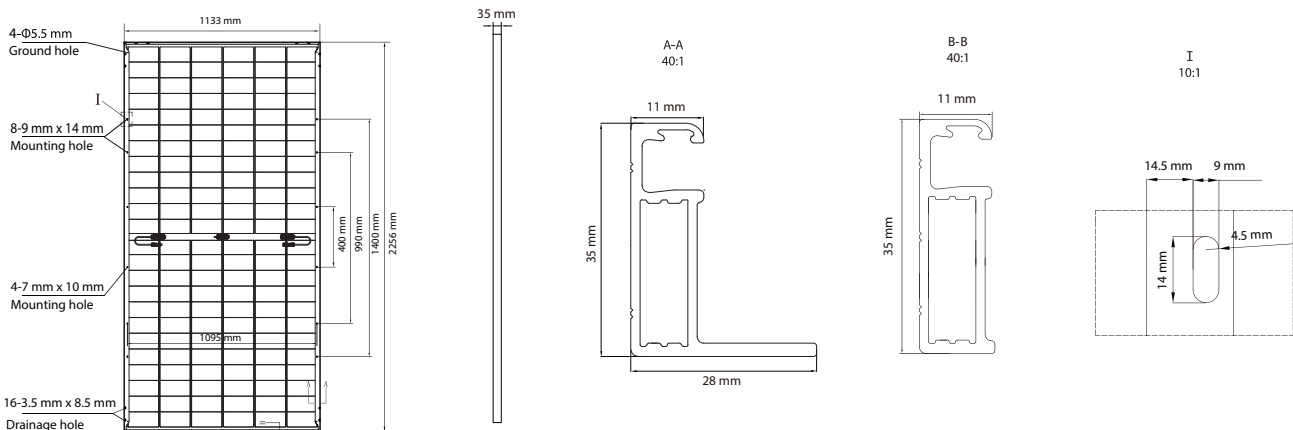
① Refer to Astronergy crystalline installation manual or contact technical department.
Maximum Mechanical Test Load=1.5×Maximum Mechanical Design Load.

PACKING SPECIFICATIONS

① Weight (module only)	32.3 kg
② Packing unit	31 pcs / box
Weight of packing unit (for 40'HQ container)	1040 kg
Number of modules per 40'HQ container	620 pcs

① Tolerance +/- 1.0kg
② Subject to sales contract

MODULE DIMENSION DETAILS



© Chint Solar (Zhejiang) Co., Ltd. Reserves the right of final interpretation. please contact our company to use the latest version for contract.